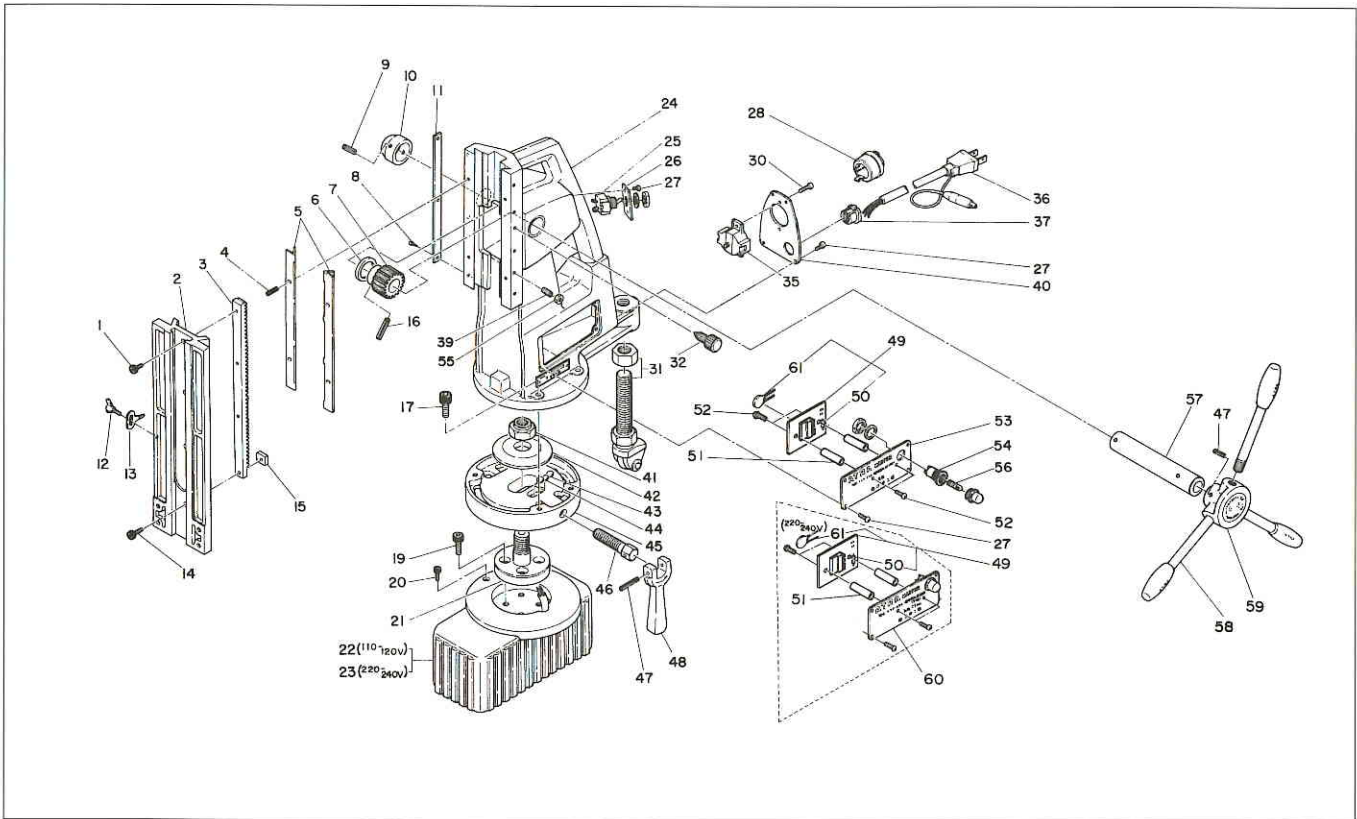


ATRA MASTER M-250B ASSEMBLY AND PARTS LIST



The parts numbers with () are included in the Ass'y parts written above them.

No.	Part No.	Part Name	Q'ty	Price
1	TP01945	Hex. Socket Head Bolt 5×12	3	
2	TP15624	Slide Board	1	
3	TP05045	Rack	1	
4	TP01920	Spring Pin 3×8	4	
5	TP15622	Slide Plate	2	
6	TP05041	Washer 24.5×36×4	1	
7	TP05040	Pinion	1	
8	TP05136	Rivet #2×4.2	3	
9	TP00043	Spring Pin 5×34	1	
10	TP05043	Stopper	1	
11	TP05038	Scale Plate	1	
12	TP12245	Wing Bolt 4×6	1	
13	TP02611	Indicator	1	
14	TP01934	Hex. Socket Head Bolt 5×18	1	
15	TP02861	Stopper	1	
16	TP13891	Spring Pin (Double) 5×38	1	
17	TQ03345	Hex. Socket Cap Screw 8×25 With Spring Washer	4	
19	TP02601	Hex. Socket Head Bolt 8×10	4	
20	TP00200	Hex. Socket Head Bolt 5×8	1	
21	TP12184	Radial Shaft	1	
22	TA98004	Magnet Sub Ass'y (110~120V)	1 set	
23	TA93730	Magnet Sub Ass'y (220~240V)	1 set	
24	TA99444	Body Sub Ass'y	1 set	
25	TP00054	Switch ET115A12	1	
26	TP05053	Switch Nameplate	1	
27	TP02618	Cross-Recessed Pan Head Machine Screw 4×8	10	
28	TP00152	Plug	1	
30	TP00153	Cross-Recessed Pan Head Machine Screw 3×12	2	
31	TA90623	Stabilizer Ass'y	1 set	
32	TP02931	Setscrew	1	
35	TP00151	Receptacle	1	
36	TA97433	Power Cord Ass'y	1 set	
37	TP01757	Cord Stopper SR-7P-2	1	

No.	Part No.	Part Name	Q'ty	Price
39	TP02937	Hex. Socket Headless Screw 5×20	5	
40	TP12272	Connector Installation Plate	1	
41	TP12183	Hex. Nut M22×1.5 U Nut	1	
42	TP01742	Circular Washer	1	
43	TP00036	Ball 1/2	2	
44	TP00037	Ball φ9	1	
45	TP05048	Pole Plate	1	
46	TP00138	Cam Shaft	1	
47	TP09853	Spring Pin (Double) 5×34	2	
48	TP00041	Lock Handle	1	
49	TB01397	Printed Circuit Ass'y	1 set	
50	TP04724	Resistor 300k Ω 1/4W	1	
51	TB01510	Spacer P-125	2	
52	TP00056	Cross-Recessed Pan Head Machine Screw 3×6	4	
53	TQ01515	Circuit Board (110~120V)	1	
54	TP00271	Lamp Holder MP-020	1	
55	TP02936	Hex. Nut M5	5	
56	TP00053	Neon Lamp	1	
57	TP05039	Pinion Shaft	1	
58	TP00118	Handle Knob	3	
59	TP05042	Handle Boss	1	
60	TQ01514	Circuit Board (220~240V)	1	
61	TQ01995	Varistor TNR 15G 471k	1	

ACCESSORIES

No.	Part No.	Part Name	Q'ty	Price
	TP16141	Insuruction Manual	1	
	TP00080	Spanner 35×41	1	
	TP00170	Hex. Wrench Key 6	1	
	TP04305	Hex. Wrench Key 2.5	1	
	TP14091	Spanner 7×8	1	
	TA99750	Electric Drill Fixing D Ass'y	1 set	

*When ordering spare parts, please state the description and part number of the spare part (not the Ref.No.) as well as the model.