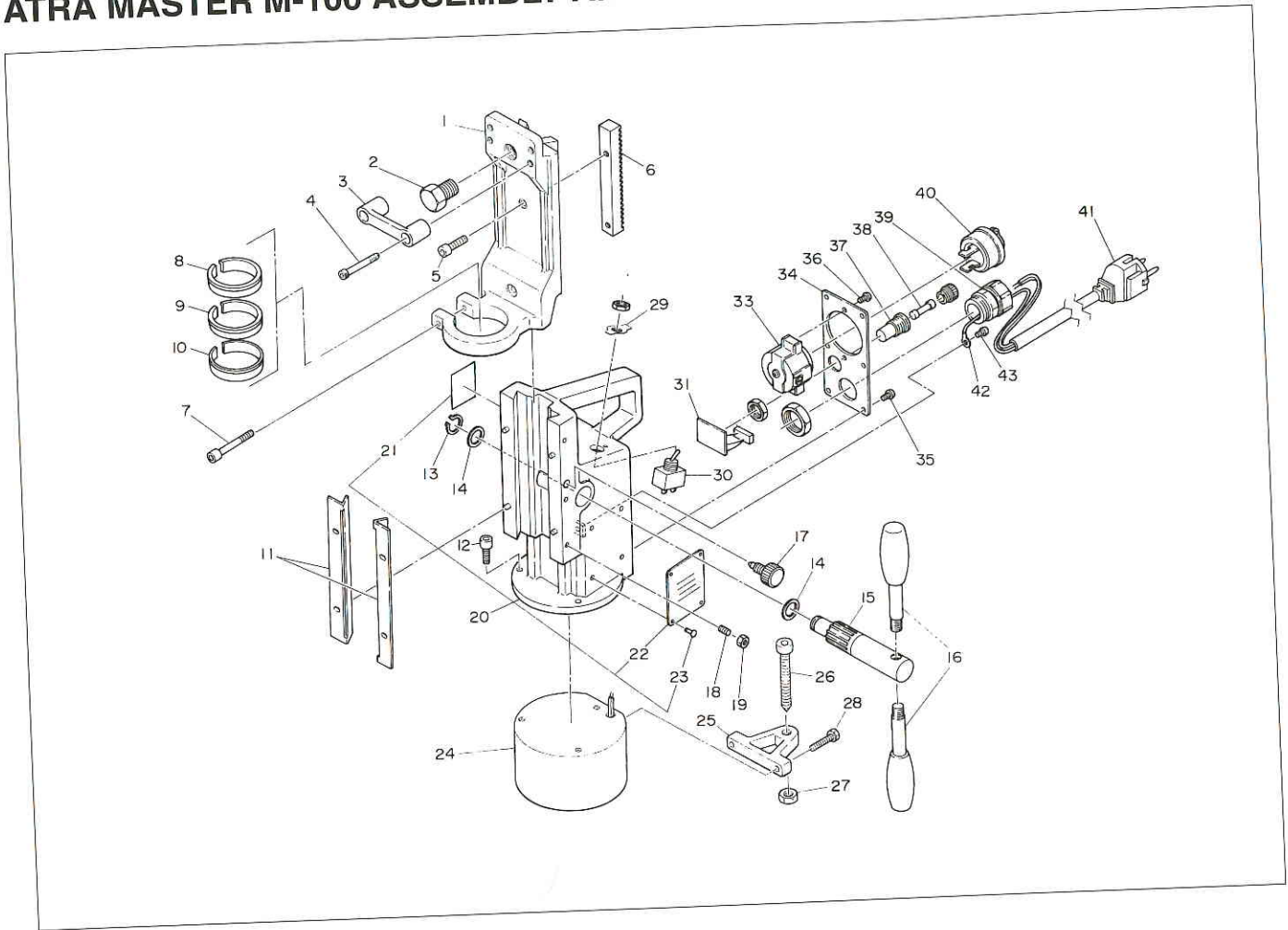


ATRA MASTER M-100 ASSEMBLY AND PARTS LIST



The part numbers with () are included in the Ass'y parts written above them.

No.	Part No.	Part Name	Q'ty	Price
1	TQ00371	Slide Board	1	
#2	TP15299	Hex. Head Bolt 16×25	1	
3	TP17046	Drill Unit Retaining Fixture	1	
#4	TP04073	Hex. Socket Head Screw 6×35	2	
#5	TP15270	Hex. Socket Head Screw 6×22	2	
6	TP15111	Rack	1	
#7	TP05469	Hex. Socket Head Screw 6×45	1	
11	TP15103	Slide Plate	2	
#12	TP05474	Hex. Socket Head Screw 6×14	3	
#13	TP02539	Shaft Retaining Ring G-14	1	
14	TP05463	Pinion Washer 14.2×19×1	2	
15	TP05461	Pinion Shaft	1	
16	TP05478	Rod Handle	2	
17	TP02931	Set Screw	1	
#18	TP04519	Hex. Socket Head Set Screw	3	
#19	TP02936	Hex. Nut M5	3	
20	TB03162	Body Sub Ass'y	1	
21	TQ03417	Warning Plate	1	
22	TQ04071	Specification Plate	1	
#23	(TP05136)	Drive Screw #2×4.8	4	
24	TB03160	Magnet Ass'y	1 set	
25	TQ03686	Stabilizer	1	
26	TQ03687	Stabilizer Shaft	1	
#27	TP13840	Hex. Nut M10	1	

No.	Part No.	Part Name	Q'ty	Price
#28	TQ03340	Hex. Socket Head Screw 6×25	2	
29	TP00076	Switch Plate	1	
#30	TQ00334	Switch ET11QA12	1	
31	TB00881	Print Board Ass'y	1 set	
#33	TP00151	Receptacle	1	
34	TP15298	Circuit Board	1	
#35	TP02618	Pan Head Screw 4×8	4	
#36	TP00153	Pan Head Screw 3×12	2	
#37	TP02622	Fuse Holder	1	
#38	TP00147	Fuse 2A	1	
#39	TQ05444	Cable Connector SC4-1	1	
#40	TP00152	Plug	1	
41	TB01132	Power Cord Ass'y	1	
#42	TP15874	Insulated Crimp Contact FV1.25-4	2	
#43	LP08489	Binding Head Screw 4×6	1	

ACCESSORIES

	TP16141	Instruction Manual	1	
#	TP04004	Hex. Wrench Key 5	1	
#	TP04305	Hex. Wrench Key 2.5	1	
#	TP14091	Spanner 7×8	1	
8	TP05483	Drill Unit Retaining Bush A	1	
9	TP05484	Drill Unit Retaining Bush B	1	
10	TP05485	Drill Unit Retaining Bush C	1	

*When ordering spare parts, please state the description and part number of the spare part (not the Ref. No.) as well as the model.