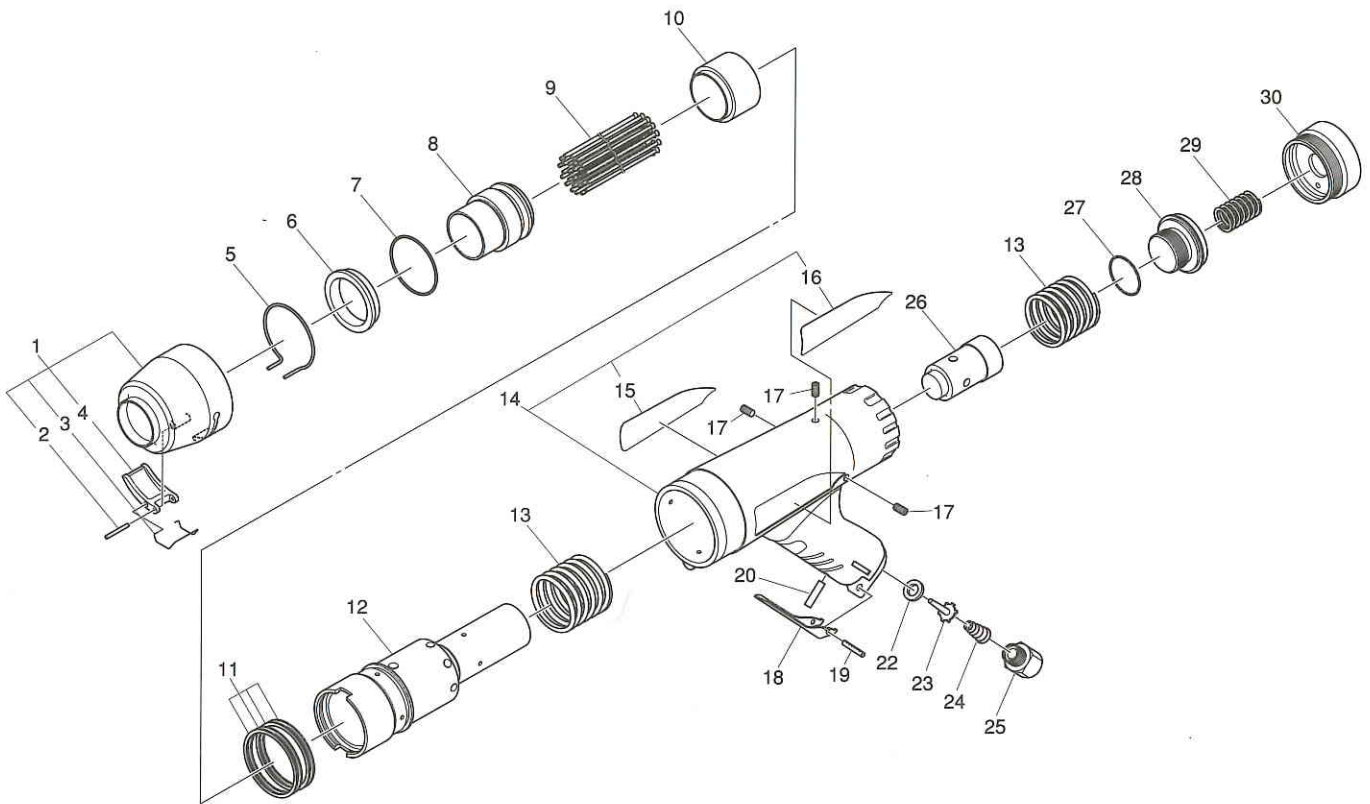


8. EXPLODED DIAGRAM : JEX-2800A PARTS LIST

⚠ Warning

This diagram is for your reference purpose only. The user should not take machine or tool apart. When repair or replacement part becomes necessary, please contact a local Nitto dealership or service station near you.



The part numbers with () are included in the Ass'y parts written above them.

No.	Parts No.	Parts Name	Q'ty	Price
1	TB05957	Needle Guide Ass'y	1SET	
2	(TP13893)	Spring Pin 3 X 22	1	
3	(TQ10583)	Clump Spring	1	
4	(TQ10555)	Clump Lever	1	
5	TQ10246	Snap Ring	1	
6	TQ10247	Lock Ring	1	
7	TQ10562	O-Ring G-40	1	
8	TP01461	Needle Supporter ϕ 3	1	
9	TP00341	Needle ϕ 3 X 180	28	
10	TP00399	Throttle Anvil	1	
11	TQ10241	Back UP Ring	4	
12	TQ10240	Cylinder	1	
13	TQ10239	Spring 3.5 X 44 X 38	2	
14	TB07531	Housing Ass'y A	1SET	
15	(TQ10234)	Label Warning	1	
16	(TQ11249)	Label Name	1	
17	TP08684	Hex.Socket Screw 4 X 8	3	
18	TP01557	Lever	1	
19	TP01802	Spring Pin 3 X 28	1	

No.	Parts No.	Parts Name	Q'ty	Price
20	TQ10450	Parallel Pin 5 X 35	1	
22	TQ04671	Seal Sheet 9 X 13.9 X 2	1	
23	TQ04664	Valve	1	
24	TQ04665	Conical Spring 0.8X6.4X11.6X21.8	1	
25	TQ10236	Bushing PT3/8 X M16	1	
26	TP00395	Piston	1	
27	CP21603	O-Ring JASO-1028	1	
28	TQ11251	Rear Bolt	1	
29	TQ10238	Spring 2.6 X 14.3 X 24	1	
30	TQ11250	Rear Cap	1	

Accessories

No.	Parts No.	Parts Name	Q'ty	Price
	TQ02350	Bushing PT3/8 X NPT3/8	1	
	TQ03262	Hose Nipple PT3/8 X 3/8	1	
	—	Needle ϕ 4 X 180	14	
	TP01462	Needle Supporter ϕ 4	1	
	TQ11252	Instruction Manual	1	