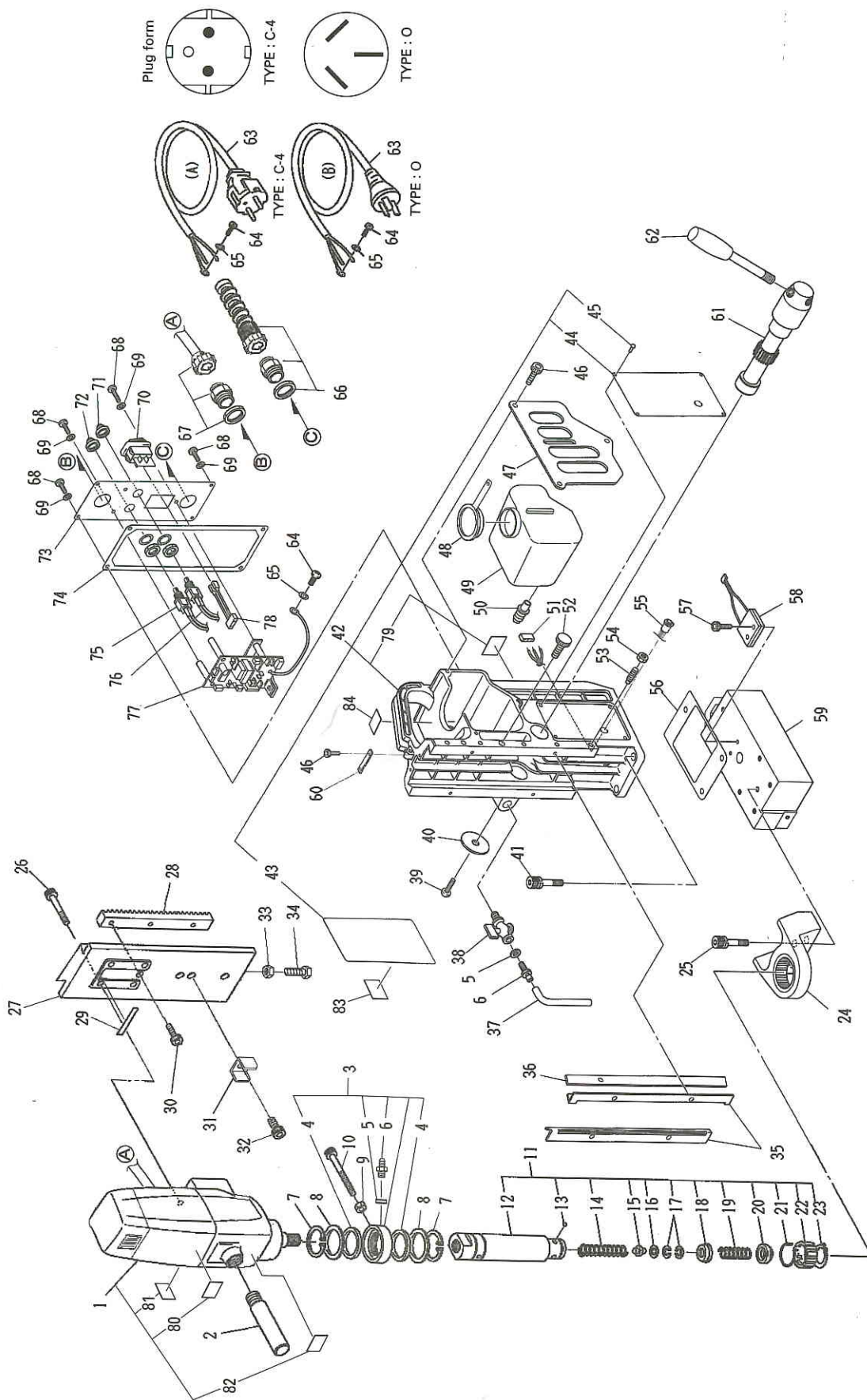


# 11 Exploded Diagram: Machine

## ⚠ WARNING

This diagram is for reference only. Do not attempt to service or repair the Nitto Portable Magnetic Drilling Machine. Do not take the machine apart. Contact an authorized Nitto dealer for all service and repair of the machine. Improper service and repair can cause accidents and severe injuries. Never attempt to modify the machine. Never attempt to service or repair the machine yourself.



Accessories

No.	Part No.	Part Name	Q'ty	Price
1	TB07564	Drill Motor Ass'y	1set	
-	(TB05187)	Carbon Brush Ass'y	1set	
2	TB02534	Side Handle Ass'y	1set	
3	TB00496	Oil Ring Sub Ass'y	1set	
4	(TP14499)	Oil Seal GD38x48x4	2	
5	(CP21947)	Packing S-4.7x8x0.8	2	
6	(TP14500)	Hose Nipple	2	
7	TP14969	External Retaining Ring ISTW-38	2	
8	TP12773	Washer 38.5x54x1	2	
9	LP10496	Hex. Nut M6	1	
10	TP05469	Hex. Socket Head Cap Screw 6x45	1	
11	TB07172	Arbor Body Ass'y	1set	
12	(TQ10650)	Arbor Body	1	
13	(TB01672)	Ball 5/16 Ass'y	1set	
14	(TQ10649)	Spring 1.4x16.2x135	1	
15	(TQ01895)	Pilot Spacer	1	
16	(TP15848)	Spacer 10.5x19x5	1	
17	(TP13905)	Internal Retaining Ring RTW-19	2	
18	(TB01348)	Washer Ass'y	1set	
19	(TQ01898)	Push 0.8x12x31	1	
20	(TB01349)	Push Ring Ass'y	1set	
21	(TQ01896)	Rotating Spring	1	
22	(TQ01897)	Sleeve	1	
23	(TP15239)	External Retaining Ring C-28	1	
24	TB05407	Bracket Ass'y	1set	
25	TQ03346	Hex. Socket Head Cap Screw 8x30 With Spring Washer	3	
26	TP04532	Hex. Socket Head Cap Screw 5x30	4	
27	TQ11072	Slide Board	1	
28	TP12776	Rack	1	
29	TQ11027	Shim 0.2	1	
30	TP01945	Hex. Socket Head Cap Screw 5x12	3	
31	TQ11073	Oil Ring Stopper	1	
32	TP03247	Hex. Socket Head Cap Screw 10 x 15	1	
33	TP08584	Hex. Nut M8	1	
34	TP04857	Hex. Bolt 8x25	1	
35	TP12777	Slide Plate	2	
36	TQ06773	Gib	1	
37	TB01098	Tube 4x7x3000 Ass'y(230mm)	1set	
38	TP14495	P valve PTI/8	1	
39	TQ04806	Hex. Socket Button Head Screw 8x15	1	
40	TQ07081	Washer 30x8.5x3.2	1	
41	TQ03344	Hex. Socket Head Cap Screw 8x20 With Spring Washer	3	
42	TB07560	Body Sub Ass'y	1set	
44	(TQ11280)	Plate Spec.	1	
45	(TP05136)	Drive Rivet N0.2x4.8	4	

No.	Part No.	Part Name	Q'ty	Price
46	TP04715	Hex. Socket Head Cap Screw 4x8	5	
47	TQ07089	Oil Tank Cover	1	
48	TQ11062	Rubber Cap	1	
49	TQ07064	Oil Tank	1	
50	TQ06786	Rubber Plug	1	
51	LQ04533	Housing	1	
52	TP02931	Set Screw	1	
53	TQ00730	Hex. Socket Set Screw with Dog Point 6x20	5	
54	TP07419	Hex. Nut Type3 M6	5	
55	TB05739	LED Ass'y	1set	
56	TQ07088	Packing Pole	1	
57	TQ10600	Hex. Socket Head Cap Screw 4x18	2	
58	TB01363	Side Slip Detection Function Ass'y	1set	
59	TB07566	Square Pole A Ass'y	1set	
60	TQ11074	Rack Stopper	1	
61	TQ07082	Pinion Shaft	1	
62	TQ01681	Rod Handle	3	
	TB05896	Cabyre Cord Ass'y (220-240V) TYPE C-4 (A)	1set	
63	TB04482	Cabyre Cord Ass'y (220-240V) TYPE O (B)	1set	
64	LP08489	Binding Head Screw 4x6	2	
65	TP04464	Toothed Lock Washer B M4	2	
66	TQ11075	Cable Connector 3247	1	
67	TQ07097	Cable Connector 3217	1	
68	TP02618	Pan Head Screw 4x8	7	
69	TQ00258	Seal Washer M4	7	
70	TQ07306	Rocker Switch	1	
71	TQ10085	Waterproofing Cap Black	1	
72	TQ10467	Waterproofing Cap Red	1	
73	TQ11279	Switch Plate	1	
74	TQ07085	Packing Body	1	
75	TB05885	Switch SW3 Ass'y	1	
76	TB05884	Switch SW2 Ass'y	1	
77	TB07556	Control Board Ass'y	1set	
78	TB07569	S Cord Ass'y	1set	

The part numbers with ( ) are include in the Ass'y parts written above them.

No.	Part No.	Part Name	Q'ty	Price
Label				
43	(TQ11281)	Label Warning	1	
79	(TQ11282)	Label Earth	1	
80	(TQ11565)	Label Arbor Warning	1	
81	(TQ10647)	Label Change Operation	1	
82	(TQ10648)	Label Change Warning	1	
83	LQ04642	Label C-TICK (AUSTRALIA)	1	
84	TQ11877	Label Guarantee	1	

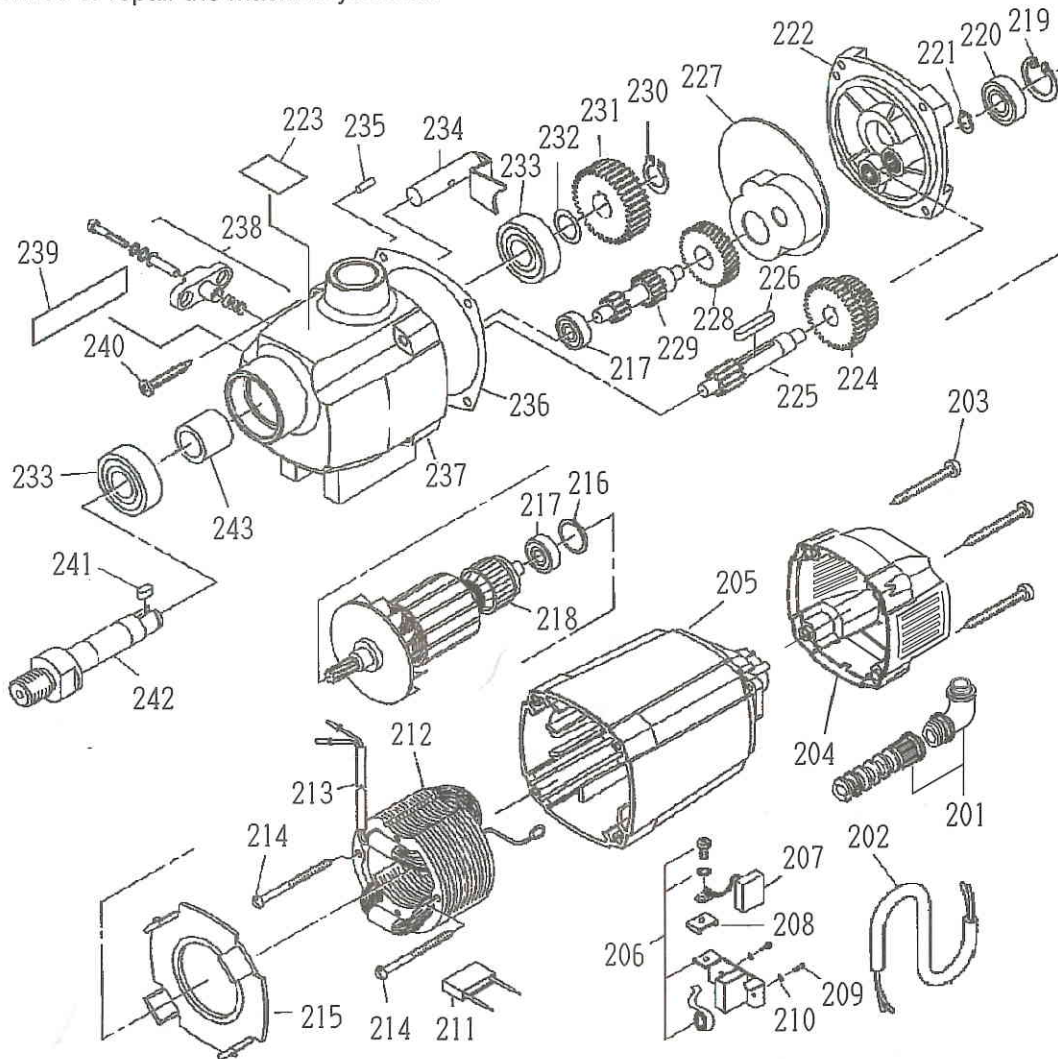
No.	Part No.	Part Name	Q'ty	Price
	TP04696	Hex. Socket Screw Key 3	1	
	TP04004	Hex. Socket Screw Key 5	1	
	TP17014	Spanner 8x10	1	
	TJ16019	Pilot Pin 08050	1	
	TA99027	Chain Ass'y	1set	
	TB02145	Cutting Oil 0.5L Ass'y	1set	
	TB05418	Guard Ass'y	1set	
	TB07437	Carrying Case Ass'y	1set	
	TQ11287	Instruction Manual	1	



## 12 Exploded Diagram: Drill Motor

### ! WARNING

This diagram is for reference only. Do not attempt to service or repair the Nitto Portable Magnetic Drilling Machine. Do not take the machine apart. Contact an authorized Nitto dealer for all service and repair of the machine. Improper service and repair can cause accidents and severe injuries. Never attempt to modify the machine. Never attempt to service or repair the machine yourself.



No.	Part No.	Part Name	Q'ty	Price
201	TQ06824	Cord Protector	1	
202	TQ06843	Connecting Cable	1	
203	TQ06819	Self Tapping Screw HC4.8x38	4	
204	TQ11172	Cap	1	
205	TQ06850	Motor Housing	1	
206	TB05193	Brush Holder Ass'y	1set	
207	TB05187	Carbon Brush Ass'y	1set	
208	TQ06838	Contact Washer	1	
209	TQ06828	Screw ZM4x12	2	
210	TQ06820	Spring Washer B4	2	
211	TQ06851	Condenser	1	
212	TB07201	Stator Ass'y	1set	
213	TQ06852	Insulating Tubing	1	
214	TQ06849	Self Tapping Screw HC3.9x60	2	
215	TQ06848	Air Guideing Ring	1	
216	TQ06839	O-Ring 22x2.5	1	
217	TP00468	Ball Bearing 608ZZ	2	
218	TB07203	Armature Ass'y	1set	
219	TP01036	Internal Retaining Ring C28	1	
220	TP00498	Ball Bearing 6001ZZ	1	
221	TP06390	External Retaining Ring C11	1	
222	TB05479	Bearing Bracket Ass'y	1set	

No.	Part No.	Part Name	Q'ty	Price
223	TQ10648	Label Caution Change	1	
224	TQ07076	Gear Block 34/40Z	1	
225	TQ07075	Pinion Shaft 13Z	1	
226	TQ07077	Key A5x5x28	1	
227	TQ06825	Grease Chamber	1	
228	TQ07069	Intermediate Gear 34Z	1	
229	TQ07070	Pinion Shaft 11/17Z	1	
230	CP04989	External Retaining Ring C15	1	
231	TQ07073	Spindle Gear 45Z	1	
232	TQ07074	Fitting Washer 15x22x0.2	1	
233	TQ06830	Ball Bearing 6203LLU	2	
234	TB05399	Coupling Bolt Ass'y	1set	
235	TQ06842	Notched Pin 4x12	1	
236	TQ06844	Gear Case Seal	1	
237	TB05478	Gear Case Ass'y	1set	
238	TB05398	Gear Changer Ass'y	1set	
239	TQ10647	Label Change Knob	1	
240	TQ06840	Self Tapping Screw HC4.8x50	4	
241	TQ07072	Key A5x5x12	1	
242	TQ07071	Spindle	1	
243	TQ11028	Collar	1	