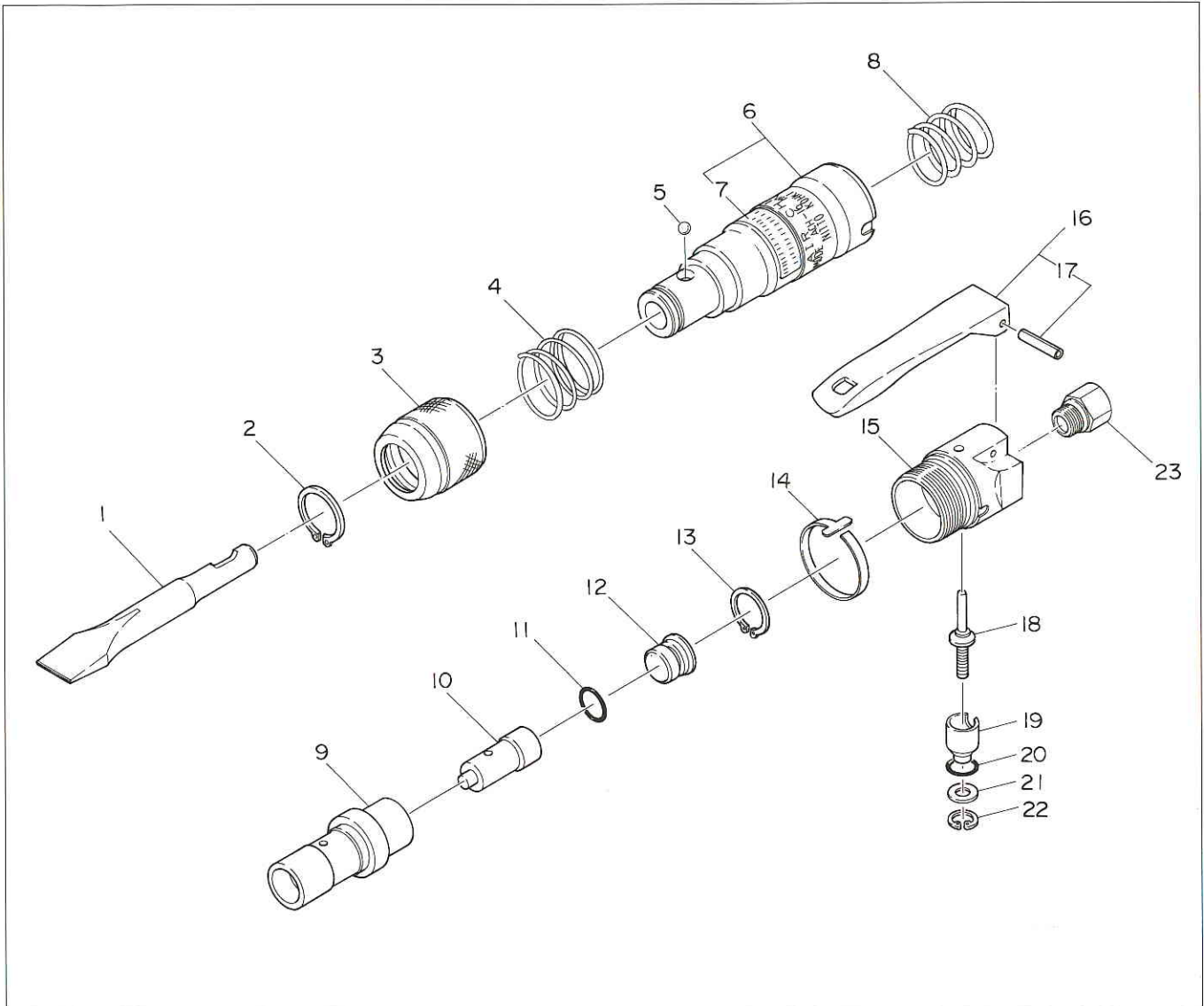


# AIR CHIPPER ACH-16 ASSEMBLY AND PARTS LIST



The parts numbers with ( ) are included in the Ass'y parts written above them.

No.	Part No.	Part Name	Q'ty	Price
1	TQ03431	Flat Chisel 20×120	1	
2	TP18406	External Retaining Ring C-22	1	
3	TQ03423	Sleeve	1	
4	TQ03424	Spring 1.6×29.5×25	1	
5	TP06633	Ball 5/16	1	
6	TB02636	Cylinder Sub Ass'y	1 set	
7	(TQ02207)	Label Warning CE Mark	1	
8	TQ03430	Spring 2.9×24.5×29	1	
9	TQ03426	Counter Cylinder	1	
10	TQ03427	Piston	1	
11	TP11998	O-Ring P-12	1	
12	TQ03425	End Plate	1	
13	CP00987	Internal Retaining Ring C-18	1	
14	TQ03429	Lock Bank	1	
15	TQ03428	Valve Body	1	

No.	Part No.	Part Name	Q'ty	Price
16	TB02772	Throttle Lever Ass'y	1 set	
17	(TP00460)	Spring Pin 3×22	1	
18	TA93070	Valve Stem Ass'y	1 set	
19	TP06325	Adjust Valve	1	
20	TP11997	O-Ring KS-7	1	
21	TP06326	Spacer 6×12×1.2	1	
22	TP03695	Internal Retaining Ring C-12	1	
23	TQ02349	Bushing M16×PT3/8	1	

## ACCESSORIES

	TQ02350	Bushing PT3/8×NPT3/8	1	
	TQ03262	Hose Nipple PT3/8×3/8	1	
	TQ03450	Instruction Manual	1	