



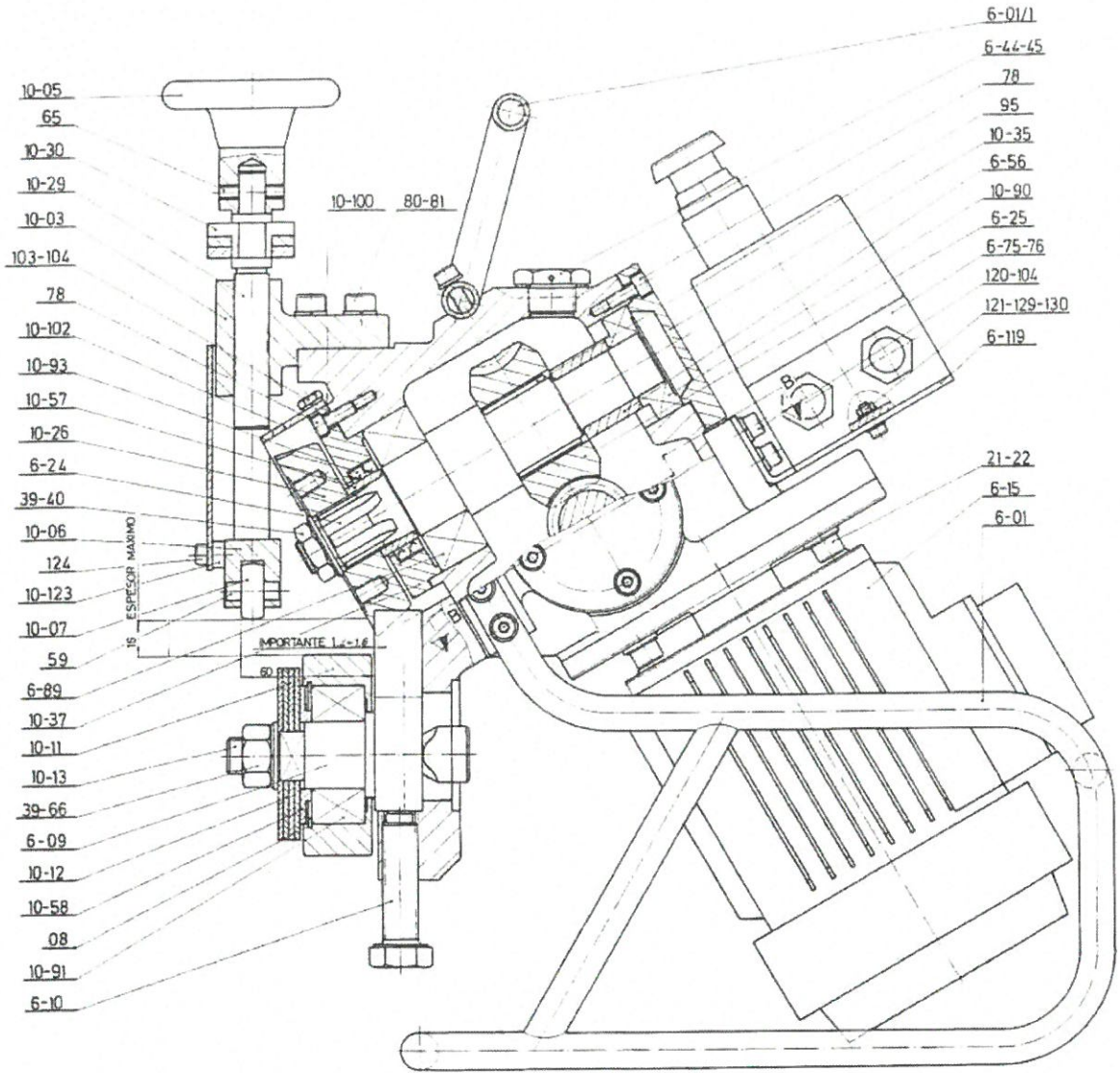
HAJO TOOL

PROFESSIONELT SPECIALVÆRKTØJ

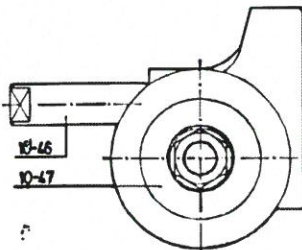
Vejlegårdsvej 65 B • DK-2665 Vallensbæk
Telefon +45 4444 2400 • Fax +45 4444 0833
www.hajo.dk • hajo@hajo.dk



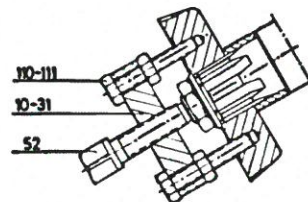
2.5. COMPLETE DRAWINGS



SECTION A-A



DEVICE TO BEVEL TUBES



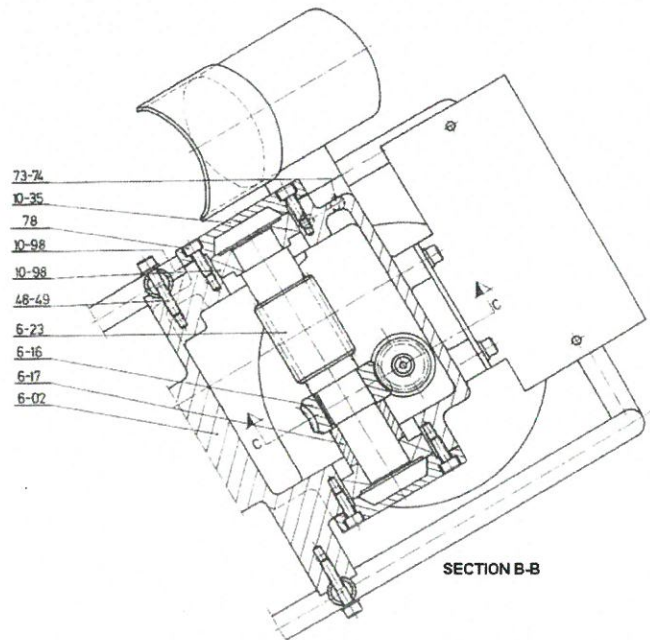
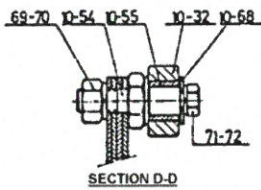
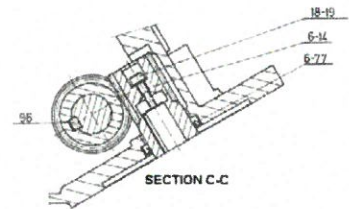
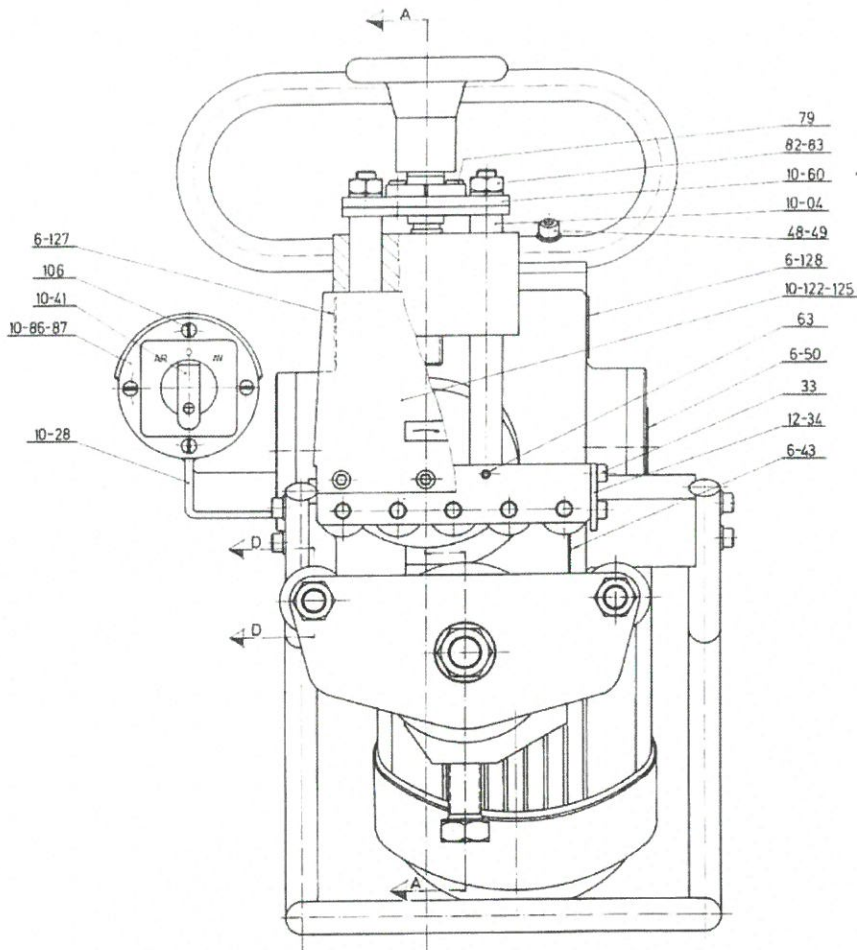
MILLING CUTTER EXTRACTION TOOL



HAJO TOOL

PROFESSIONELT SPECIALVÆRKTØJ

Vejlegårdsvej 65 B • DK-2665 Vallensbæk
Telefon +45 4444 2400 • Fax +45 4444 0833
www.hajo.dk • hajo@hajo.dk



**HAJO TOOL**

PROFESSIONELT SPECIALVÆRKTØJ

Vejlegårdsvej 65 B • DK-2665 Vallensbæk
Telefon +45 4444 2400 • Fax +45 4444 0833
www.hajo.dk • hajo@hajo.dk

6. SPARE PARTS AND ACCESSORIES

6.1. LIST OF SPARE PARTS OF THE BEVELLING MACHINE «CEVISA» CHP-6

REF.	DESIGNATION	REF.	DESIGNATION
6-01	Support frame and handle	10-37	Front cover
6-02	Housing	10-41	Reversing-switch
10-03	Support nut	6-43	Bevel adjustment scale
10-04	Guide cylinders(2 p.)	6-44	Oil filler cap
10-05	Adjustment wheel	10-46	Tube bevelling shaft
10-06	Roller-holder support	10-47	Tube bevelling washer
10-07	Support rollers (5 p.)	10-54	Secondary pulley shaft (2 p.)
6-09	Vertical slide	10-55	Bushing (2 p.)
10-10	Adjustment spindle	6-56	Bushing
10-11	Guide pulley	10-57	Cutter sp. Bushing
10-12A	Secondary pulley support	10-58	Pulley sp. Bushing
10-13	Lockscrew	10-60	Mobile support
6-14	Input worm gear	10-68	Washer (2 p.)
6-15	0,75 H.P. motor	6-75	Electric box
6-16	Input crown gear	6-77	Oil seal 32X42X7
6-17	Bushing	10-86	Washer
6-23	Wormshaft	6-89	Bearing N° 4.207
6-24	Main shaft	10-90	Bearing N° 30.205 (3 p.)
6-25	Worm crown gear	10-91	Bearing N° 3.206
10-26	Milling cutter	10-93	Oil seal 35X47X6 (2 P.)
6-28	Switchbox	10-98	Seal (3 p.)
10-29	Adjustment spindle	10-100	Seal
10-30	Spindle f. Bushing	10-102	Milling cutter protector
10-31	Cutter extraction tool	6-119	Electric box support
10-32	Secondary pulley (2 p.)	10-122	Protection
10-35	Blank cover (3 p.)	10-123	Bushing (3 p.)

6.2. ACCESSORIES TO BE DELIVERED WITH THE MACHINE

- 3 milling cutters, reference 1026 (one fitted on machine).
- 1 milling cutter extraction tool.
- 1 device to bevel tubes.
- Set of spanners : 12-13 mm., 18-19 mm. and 24-26 mm.
- Set of "Allen" keys : 5 mm. and 6 mm.